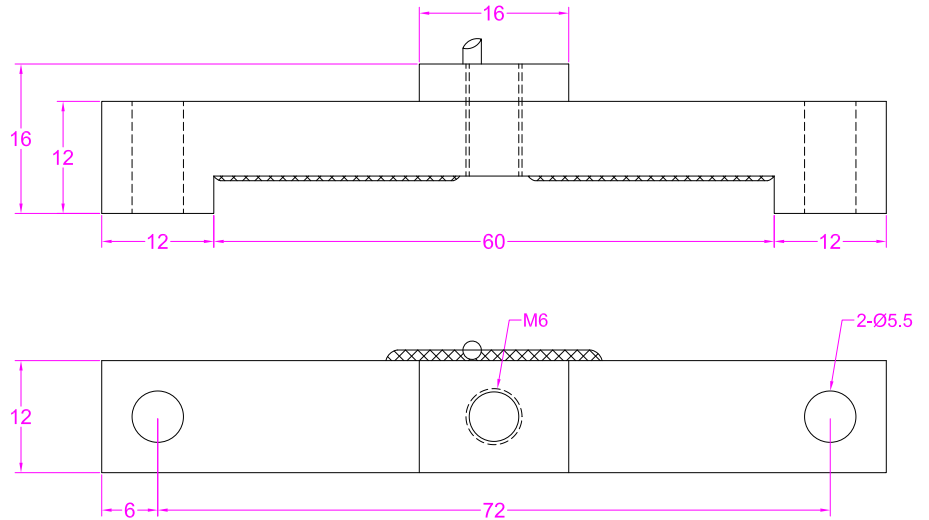
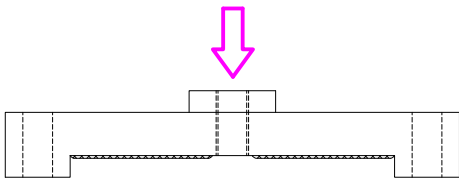




Load direction
加载方向



--- Specifications / 规格参数 ---

| Capacity/量程 | 50/100/150/200kg | | |
|--|--|-------------------------------|-----------------------|
| Rated Output 额定输出 | 1.0~1.6mV/V | Compensated Temp. 温度补偿范围 | 0...+40°C |
| Excitation 激励电压 | 3~12V | Operating Temp. 工作温度范围 | -10...+50°C |
| Zero Balance 零点输出 | ±0.1mV/V | Temp. Shift Zero 零点温度漂移 | ±0.05% of R.O./°C |
| Nonlinearity 非线性 | ±0.1% of R.O. | Temp. Shift Span 灵敏度温度漂移 | ±0.01% of R.O./°C |
| Hysteresis 滞后 | ±0.1% of R.O. | Input Resistance 输入阻抗 | 410±30Ω |
| Nonrepeatability 非重复性 | ±0.1% of R.O. | Output Resistance 输出阻抗 | 350±5Ω |
| Creep(30min) 蠕变 | ±0.1% of R.O. | Insulation Resistance 绝缘阻抗 | >2000MΩ(50V) |
| Safe Overload 安全过载 | 150% of F.S. | Ingress Protection 防护等级 | IP63 |
| Ultimate Overload 极限过载 | 200% of F.S. | Material of Element 弹性体材料 | Aluminum alloy 铝合金 |
| Cable 导线 | Ø3*1000mm 4-core shielded cable Ø3*1000mm 4芯屏蔽线 | | |
| R.O.=Rated Output/额定输出 F.S.=Full Scale/满量程 | | | |

• Subject to change without notice / 如有更改,不另行通知